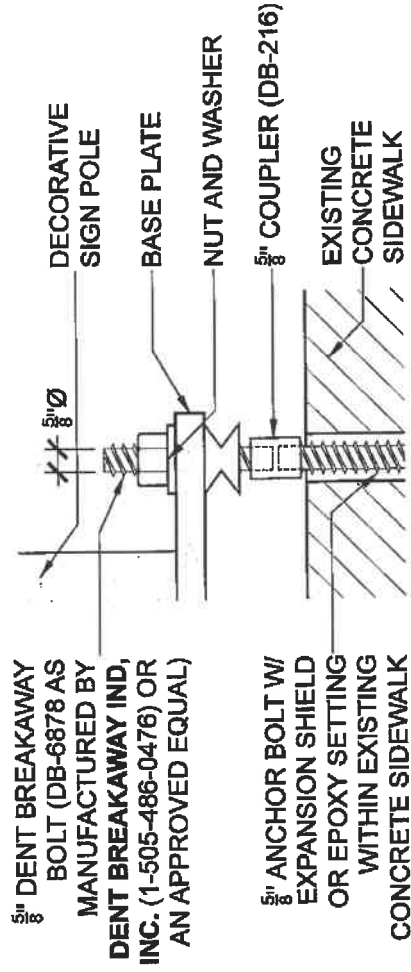


LAYOUT



DENT BOLT™ ENLARGEMENT

STREET SIGN INSTALLATION

NOT TO SCALE



SALES QUOTE

Customer Copy

Number	Q1818123
Date	10/10/2018
Page	1

5100 West Brown Deer Road • Brown Deer, WI 53223
 Phone (800) 236-0112 • tapconet.com • Fax (800) 444-0331

Sell To Cust. C38737 City of Allentown Curtis Xander Accounts Payable 435 Hamilton St, Rm 110 ALLENTOWN, PA 18101		Ship To Cust. City of Allentown Curtis Xander Accounts Payable 435 Hamilton St, Rm 110 ALLENTOWN, PA 18101			
Customer PO #	Expires	Slsp	Terms	Freight	Ship Via
STREETSCAPE POLE PACKAGE	11/9/2018	Justin Jablonski	Net 30 DAYS	PREPAID	BEST RATE

Item	Description	Quantity	UM	Price	Extension
203-11119	Pole, Deep Fluted, 2 3/8"x12"x.125, 7-3/4" Baseplate, Black Finish, Aluminum, Decorative StreetScape Pole	1	EA	142.45	\$142.45
203-00024	Mini Base for 2-3/8" Painted Black Finish, Decorative Slip Over Base Improves Look	1	EA	91.15	\$91.15
203-00248	Finial, Ball Cap for 2 3/8" Round Post Toppers, Decorative Vulcan Black Finish	1	EA	28.45	\$28.45
111937	J-Bolt 5/8-11x4x21" GR 55Galv w/Nut & 5/8" Washer Set	4	EA	8.98	\$35.92

TAPCO US Communities Contract # 2013-100
 Includes Free Freight

Thank you! - Justin Jablonski at Tapco
 Phone # (262) 754-4351
 E-mail: justin@tapconet.com

example of poles to be used

Shipment within _____
 Acceptance By _____
 Date _____
 By _____

Merchandise	Freight	Tax	Total
\$297.97	\$0.00	\$0.00	\$297.97