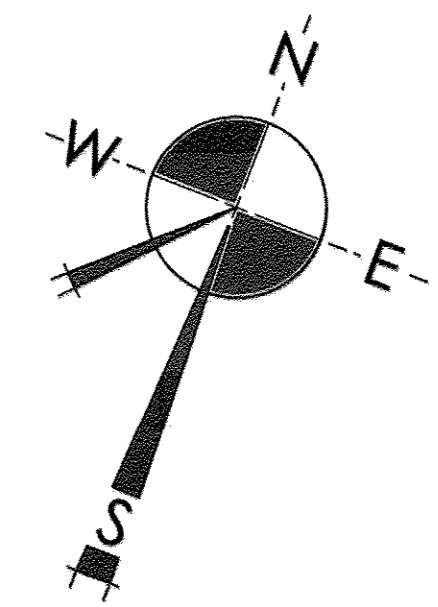


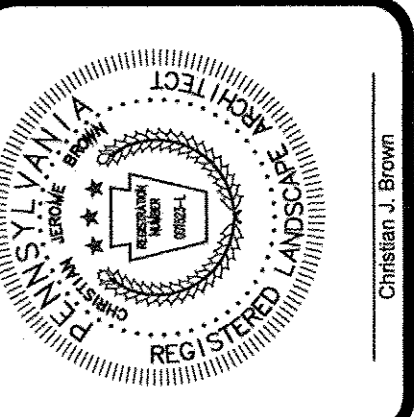
SITE PLAN



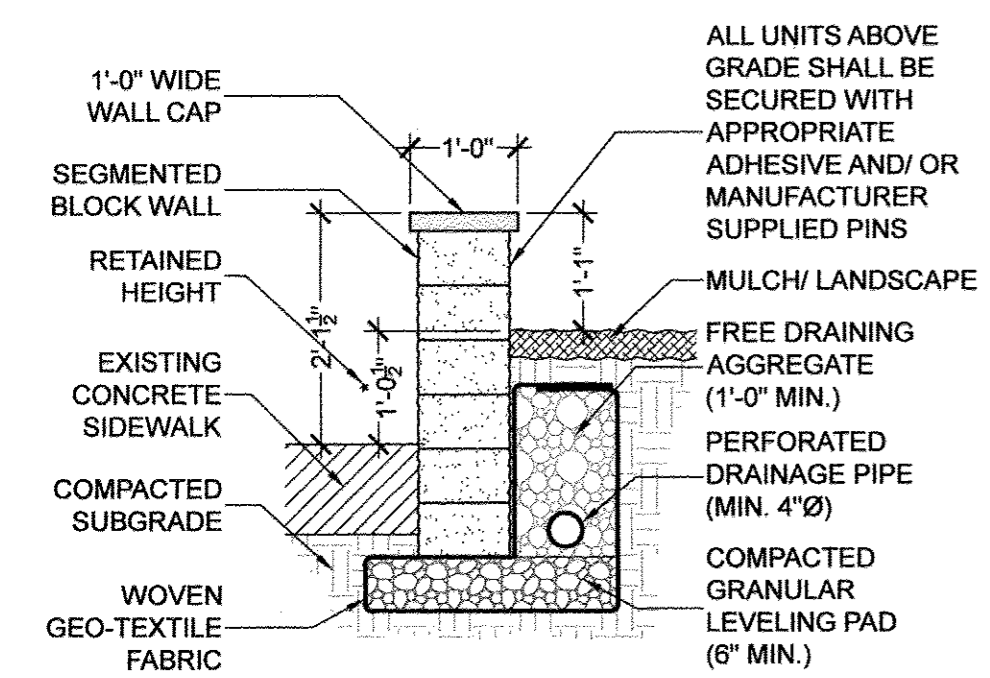
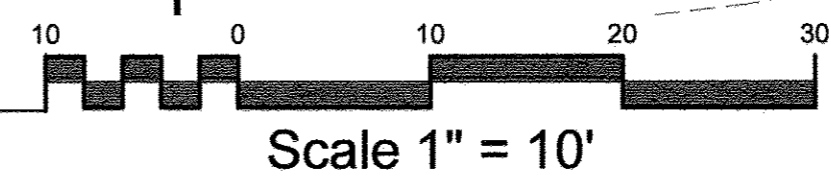
WHAT YOU DON'T KNOW CAN HURT YOU.
 PENNSYLVANIA ACT 187 REQUIRES NOTIFICATION OF EXCAVATORS, DESIGNERS, OR ANY PERSON PREPARING TO DISTURB THE EARTH'S SURFACE ANYWHERE IN THE COMMONWEALTH.



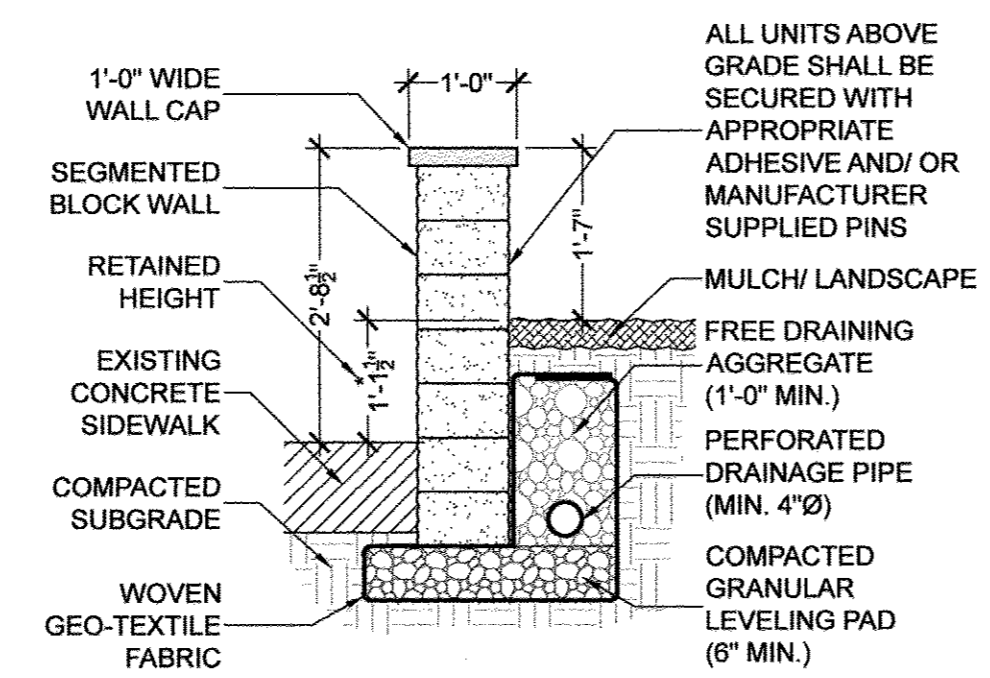
browndesigncorp
 land architects and planners
 347 north ninth street
 old allentown pa, 18102
 phone: 610.821.4252
 www.browndesigncorp.com



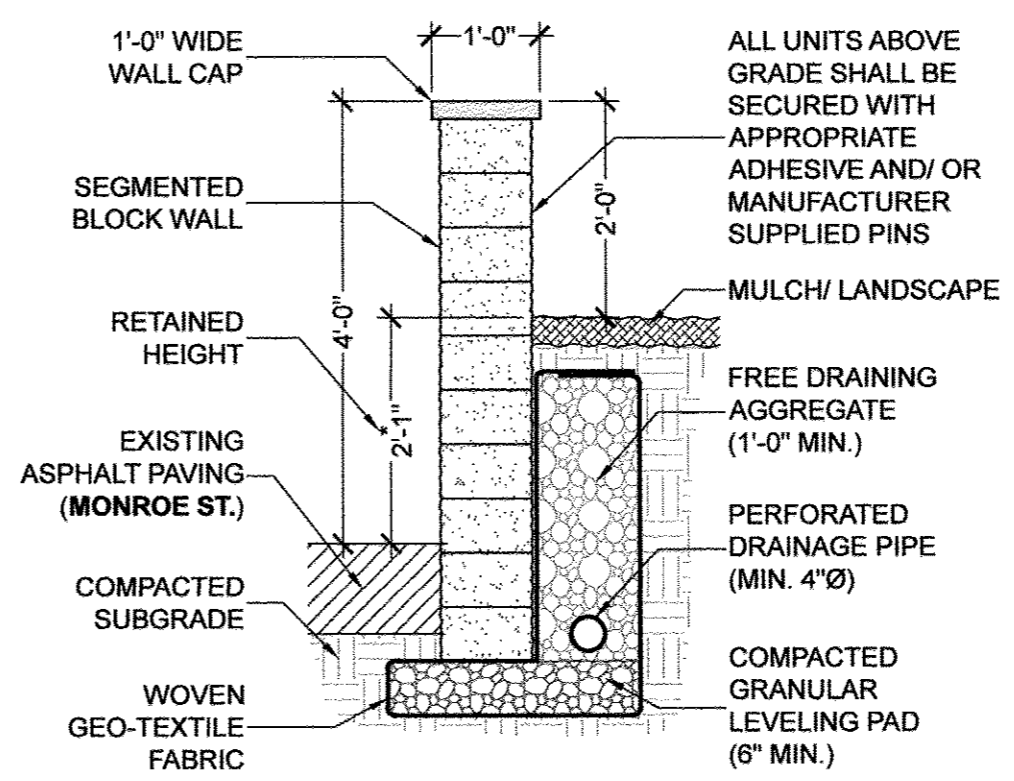
LOCATED IN:
 CITY OF ALLENTOWN
 LEHIGH COUNTY
 COMMONWEALTH OF PENNSYLVANIA



1 REPLACEMENT WALL - CROSS SECTION A
 NOT TO SCALE



2 REPLACEMENT WALL - CROSS SECTION B
 NOT TO SCALE



3 REPLACEMENT WALL - CROSS SECTION C
 NOT TO SCALE

LEGEND

- PROPERTY LINE
- EXISTING CONTOURS
- EXISTING FENCE
- EXISTING WALL
- REPLACEMENT WALL
- EXISTING LIGHT FIXTURE
- EXISTING ASPHALT
- EXISTING PAVERS
- EXISTING CONCRETE
- EXISTING LANDSCAPING
- PROPOSED PLANTING
- EXISTING TREES

315 N. 27TH STREET
 ALLENTOWN, PA 18104
PROPERTY IMPROVEMENTS PLAN

DATE: 5-22-17 JOB: 1713
 SCALE: AS NOTED SHEET: LA-1 OF 1
 DRAWN BY: BDC